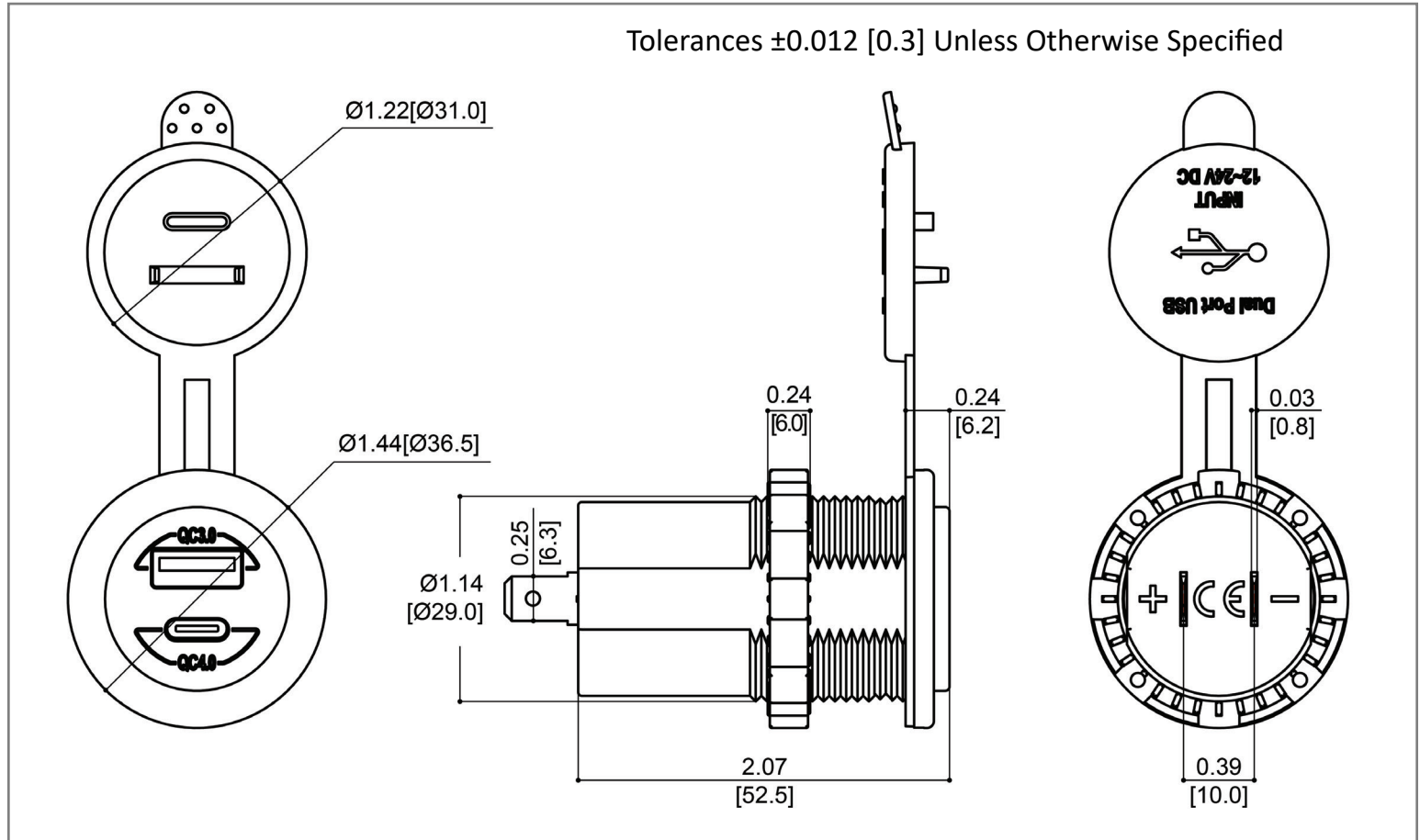
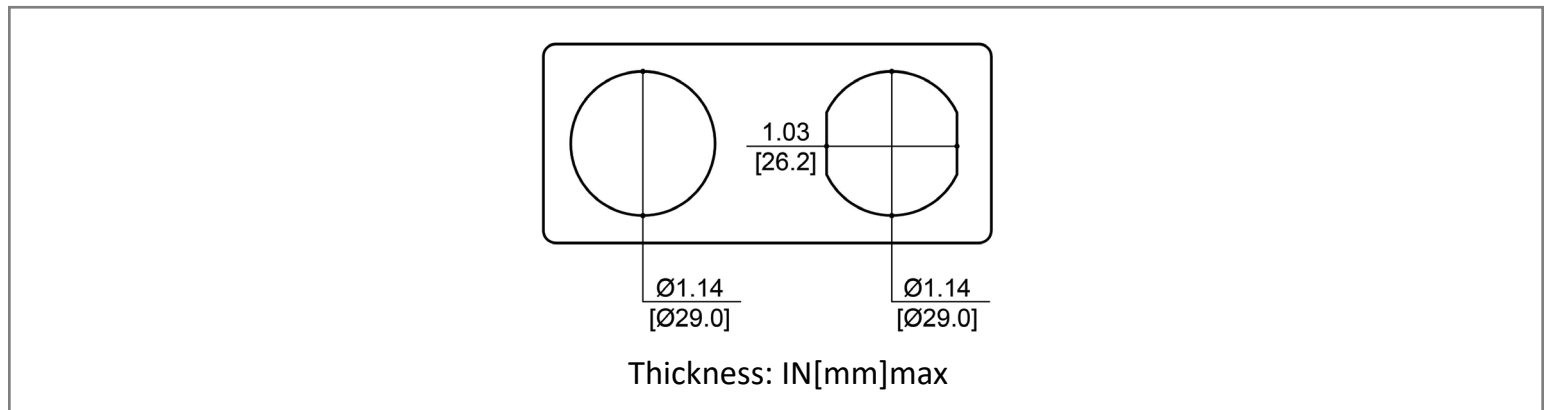


Mechanical Dimensions: Inches [mm]



Mounting Hole



Electrical Specifications

Nominal Voltage	12/24VDC
Operating Voltage	12V/30VDC (max)
Peak Voltage	32VDC (max) (3~4sec)
Output Rating (12VDC Input)	Type A Output 1 (5V~12V; 36W Max) Type C Output 2 (5V~12V; 36W Max) Type A + Type C (36W + 36W)
Output Rating (24VDC Input)	Type A Output 1 (5V~12V; 36W Max) Type C Output 2 (5V~20V; 60W Max) Type A + Type C (36W + 60W)
Current Draw	20mA
Operation Temperature	-20 °C ~ 60 °C

Material Specifications

Type A and Type C USB	
Terminals Material	Copper; Nickel Plated
Ingress Protection	IP65 (when cap is closed)
Laser Etched Front with Backlight Effect	

Rev Date of issue Revision Notes

Designed Approved

B	02-14-2025	Initial Drawing	RC	OF
---	------------	-----------------	----	----