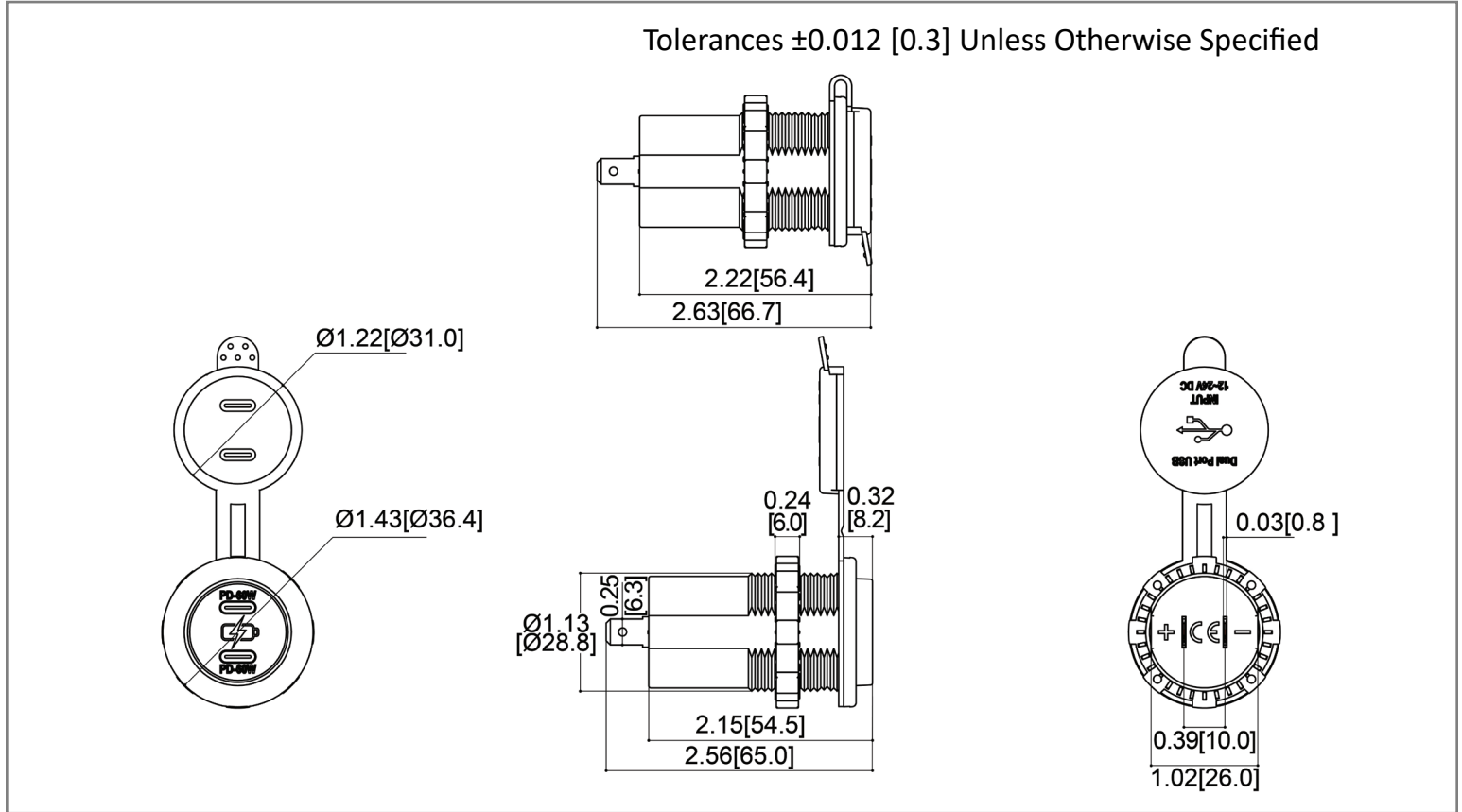
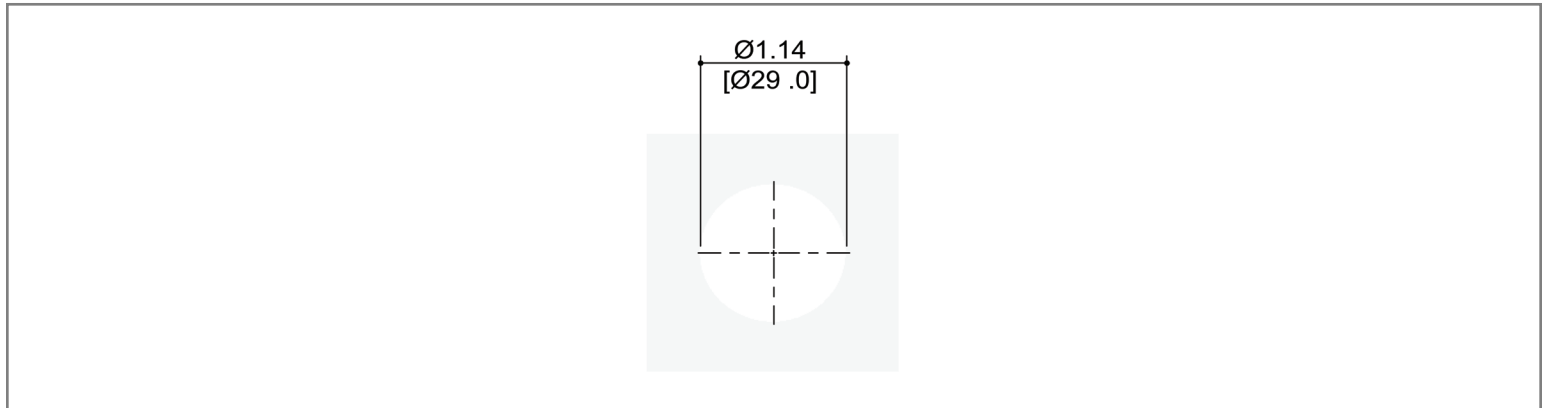


**Mechanical Dimensions: Inches [mm]**



**Mounting Hole**



**Electrical Specifications**

<b>Nominal Voltage</b>	12/24VDC
<b>Operating Voltage</b>	12V/32VDC (max)
<b>Peak Voltage</b>	36VDC (max) (3~4 sec)
<b>Output Rating (12VDC Input)</b>	Type C Output 1 (5V~12V; 36W Max) Type C Output 2 (5V~12V; 36W Max) Type C + Type C (36W + 36W)
<b>Output Rating (24VDC Input)</b>	Type C Output 1 (5V~20V; 60W Max) Type C Output 2 (5V~20V; 60W Max) Type C + Type C (60W + 60W)
<b>Operating Frequency</b>	100~150Khz
<b>Current Draw</b>	20mA
<b>Operation Temperature</b>	-20 °C ~ 60 °C

**Material Specifications**

<b>Two Type C USB Connections</b>	
<b>Terminals Material</b>	Copper; Nickel Plated
<b>Ingress Protection</b>	IP65 (when cap is closed)
<b>Laser Etched Front with Backlight Effect</b>	

**Rev      Date of issue      Revision Notes**

**Designed      Approved**

B	02-14-2025	Initial Drawing	RC	OF
---	------------	-----------------	----	----