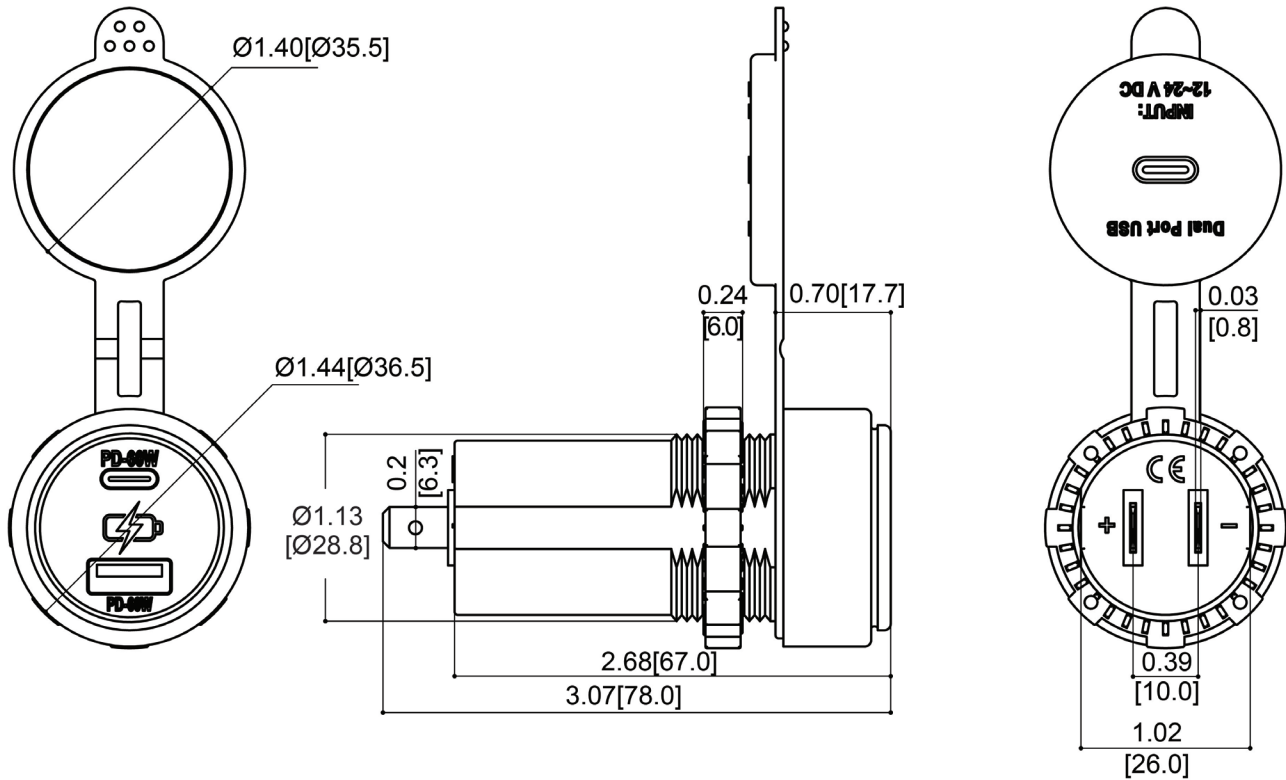
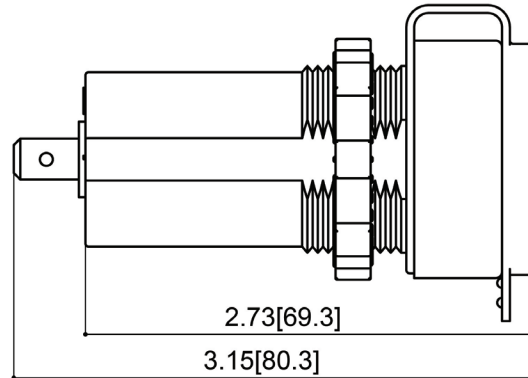


Mechanical Dimensions: Inches [mm]

Tolerances ± 0.012 [0.3] Unless Otherwise Specified



Electrical Specifications

Nominal Voltage	12/24VDC
Operating Voltage	12V/30VDC (max)
Peak Voltage	32VDC (max) (3~4sec)
Output Rating (12VDC Input)	Type C Output 1 (5V~20V; 60W Max) Type A Output 2 (5V~12V; 36W Max) Type C + Type A (60W + 36W)
Output Rating (24VDC Input)	Type C Output 1 (5V~20V; 100W Max) Type A Output 2 (5V~12V; 36W Max) Type C + Type A (100W + 36W)
Operating Frequency	150~200 Khz
Current Draw	20mA
Operation Temperature	-20 °C ~ 60 °C

Material Specifications

Type A and Type C USB	
Terminals Material	Copper; Nickel Plated
Mounting Hole	29mm Diameter
Ingress Protection	IP65 (when cap is closed)
Laser Etched Front with Backlight Effect	

Rev Date of issue Revision Notes

Designed Approved

B	02-14-2025	Initial Drawing	RC	OF
---	------------	-----------------	----	----