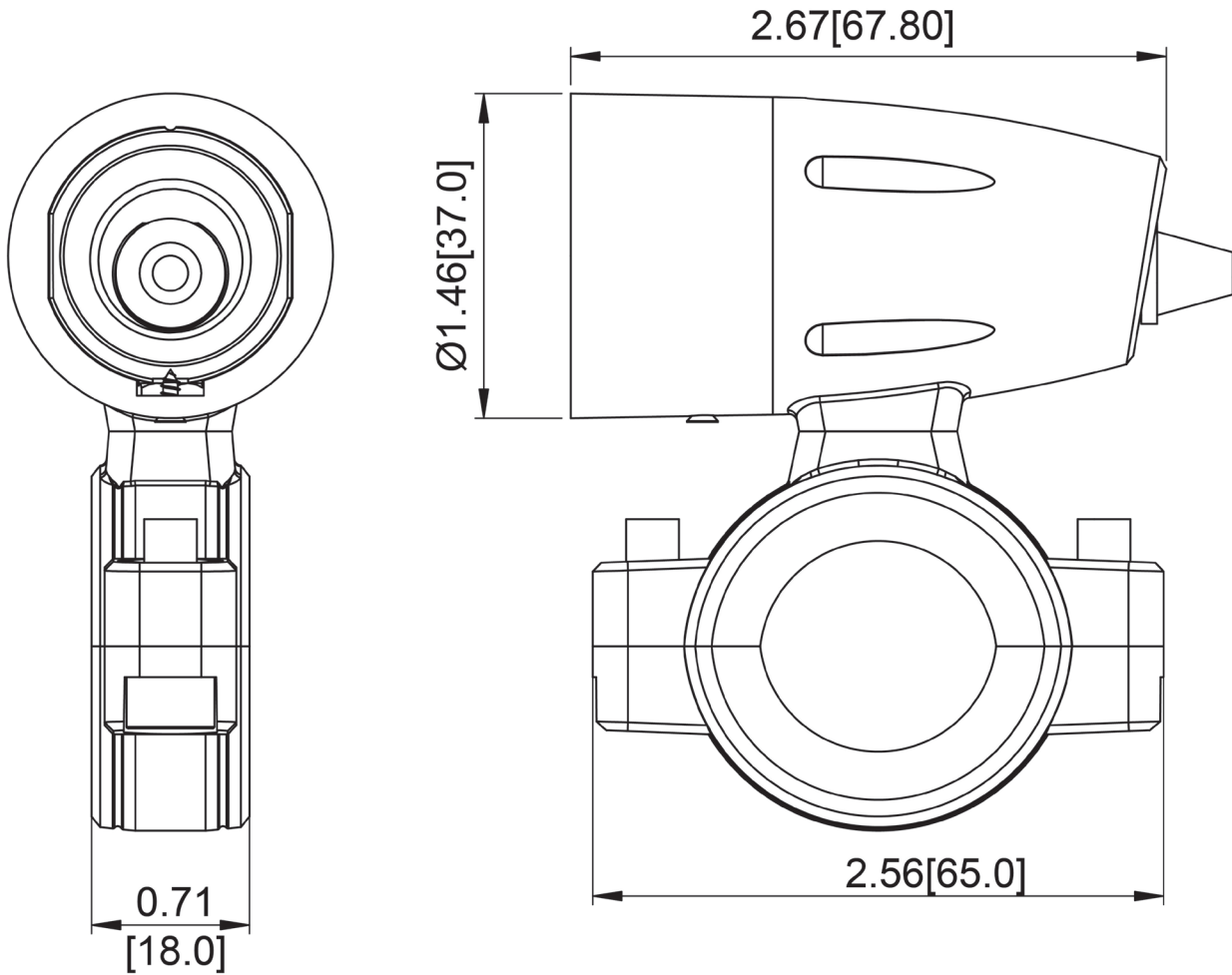


Mechanical Dimensions: Inches [mm]

Tolerances ± 0.012 [0.3] Unless Otherwise Specified



Features

For 1-1/8" sockets

For 0.8"~1.1" diameter handlebars

UV-stabalized enclosure material

Water-tight gasket and water resistant rubber cap included

Robust Nylon (glass fiber reinforced) enclosure

Rev **Date of issue** **Revision Notes**

Designed **Approved**

A	07-16-2024	Initial Drawing	RC	OF
---	------------	-----------------	----	----