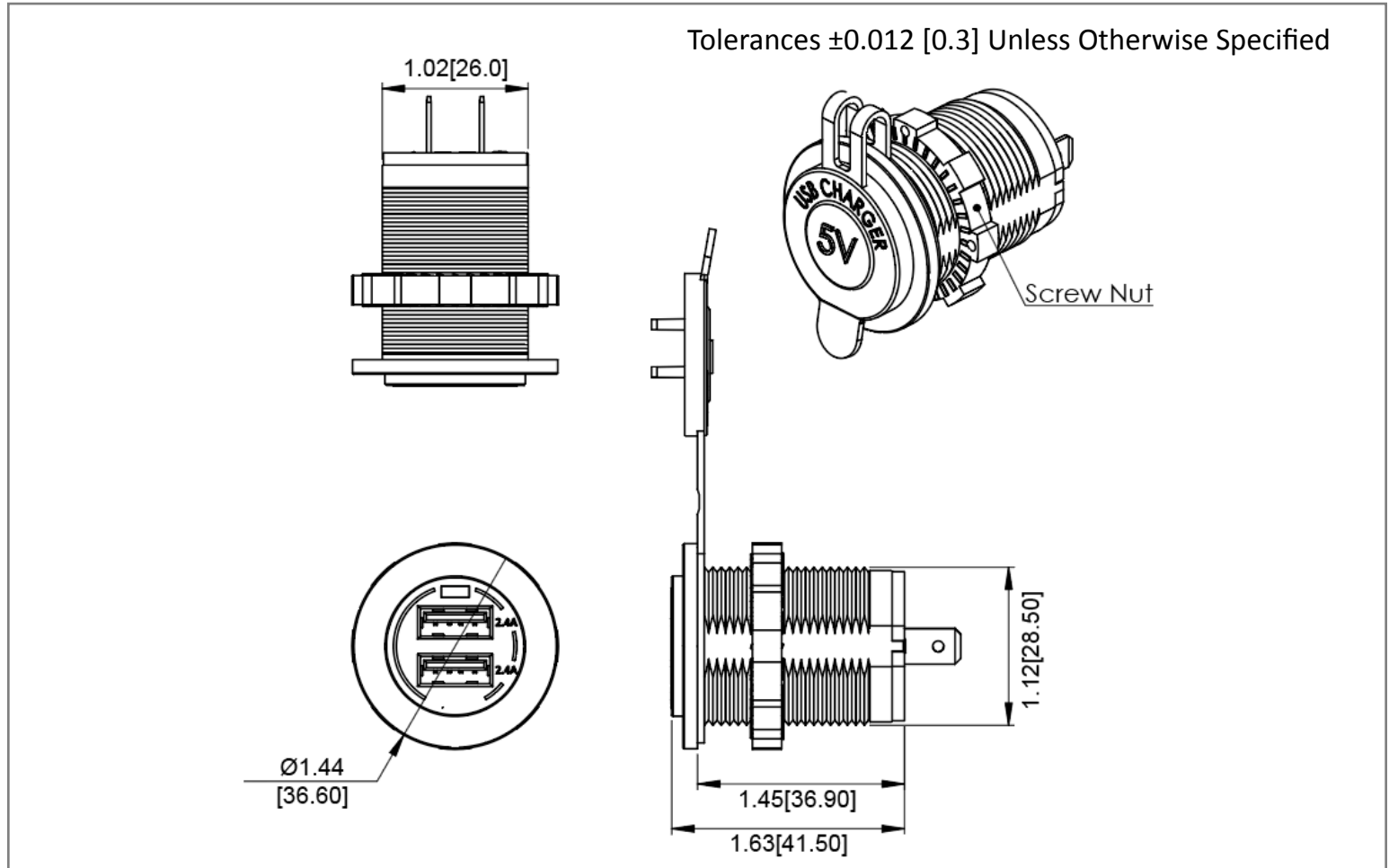
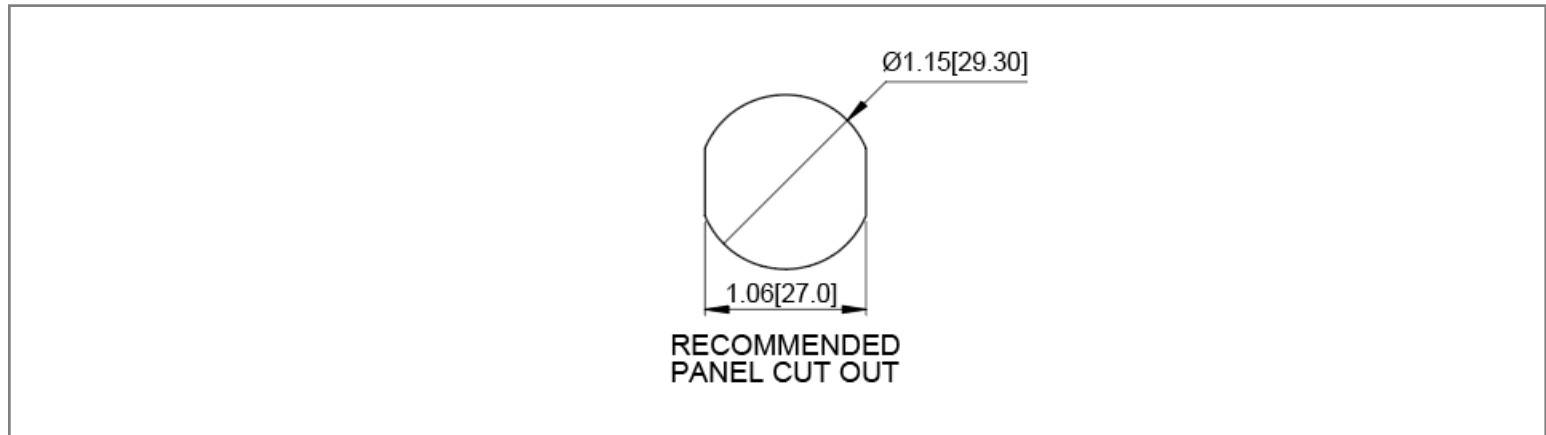


**Mechanical Dimensions: Inches [mm]**



**Mounting Hole**



**Electrical Specifications**

<b>Input Rating</b>	10-28VDC
<b>Output Rating</b>	5VDC 4.8A MAX (2.4A + 2.4A)

**Material Specifications**

<b>LED Power Indication</b>	
<b>Body Material</b>	Flame Retardant Nylon (Glass Fiber Reinforced)
<b>Terminal Size</b>	0.25" Quick Connect
<b>Ingress Protection</b>	IP66 (When not in use and cap is securely closed)
<b>Type A USB</b>	

Rev	Date of issue	Revision Notes	Designed	Approved
A	01-11-2024	Initial Drawing	RC	OF