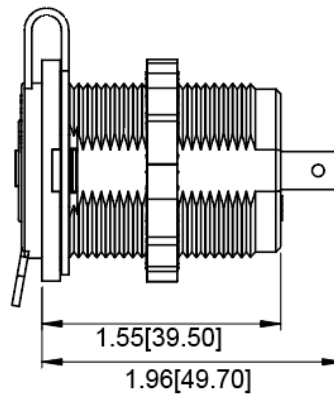
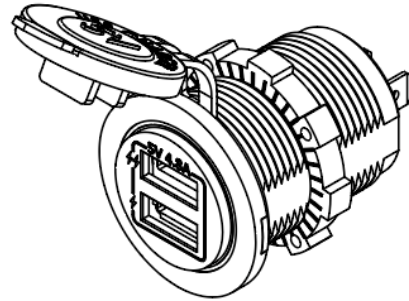
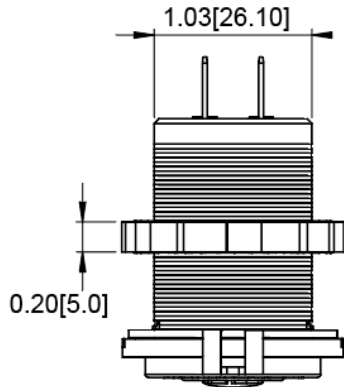
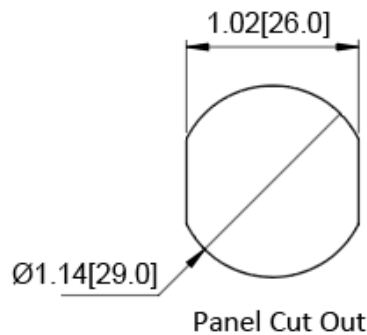


**Mechanical Dimensions: Inches [mm]**

Tolerances  $\pm 0.012$  [0.3] Unless Otherwise Specified



**Mounting Hole**



**Electrical Specifications**

<b>Input Rating</b>	12/24 VDC
<b>Output Rating</b>	5VDC 4.8A MAX (2.4A + 2.4A)
<b>Certifications</b>	FC CE

**Material Specifications**

Laser Etched Front Cover with Backlight Effect	
<b>Body Material</b>	Flame Retardant Nylon (Glass Fiber Reinforced)
<b>Ingress Protection</b>	IP66 (When not in use and cap is securely closed)
Type A USB	

# Power Adapter - USB Socket

# A8-USB2-1-B-4.8A



Rev	Date of issue	Revision Notes	Designed	Approved
A	01-11-2024	Initial Drawing	RC	OF