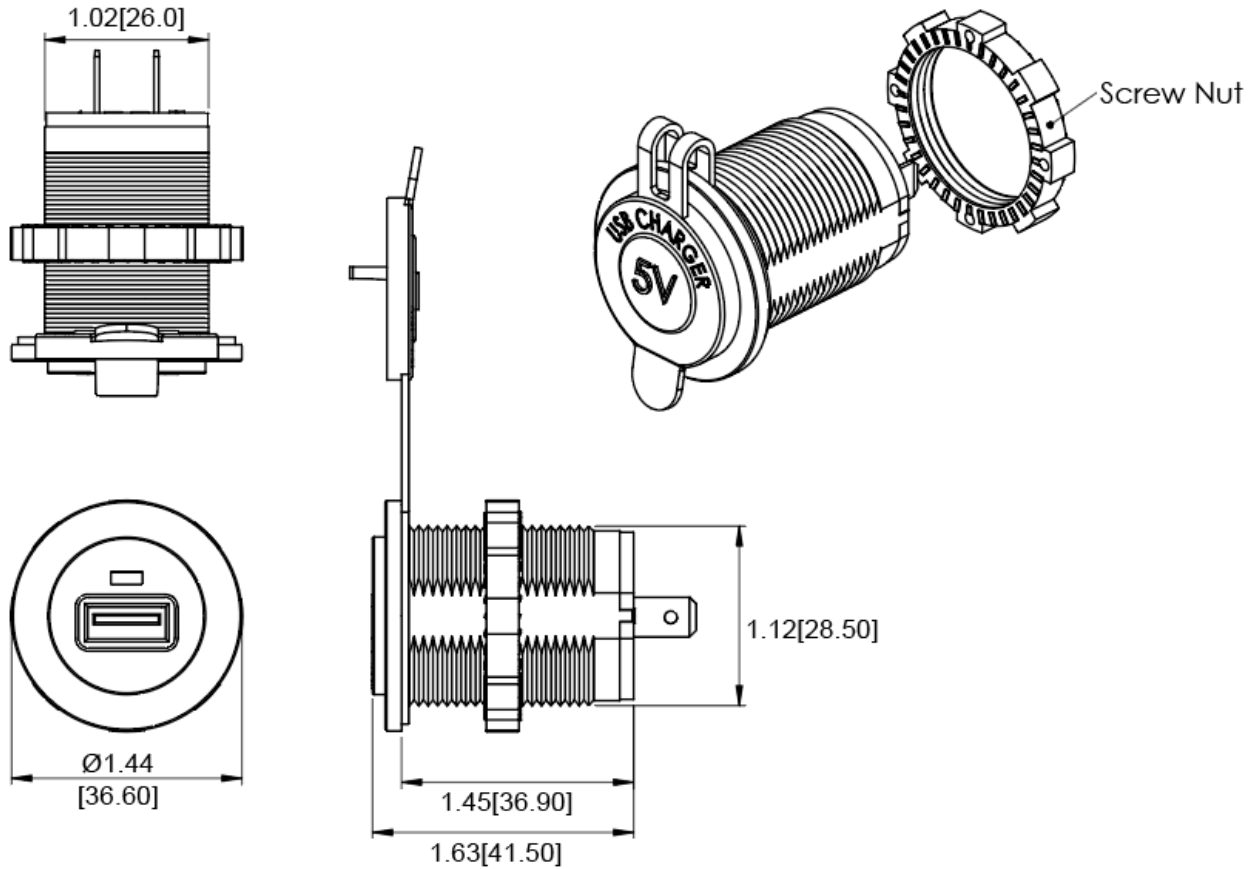
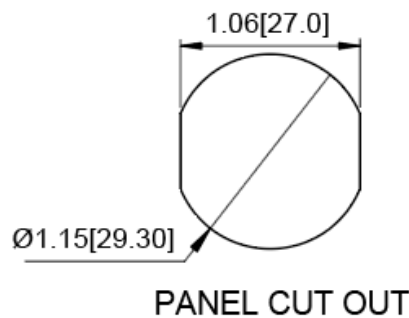


Mechanical Dimensions: Inches [mm]

Tolerances ± 0.012 [0.3] Unless Otherwise Specified



Mounting Hole



Electrical Specifications

Input Rating	12-24 VDC
Output Rating	5VDC 2.4A

Material Specifications

LED Power Indication	
Body Material	Flame Retardant Nylon (Glass Fiber Reinforced)
Terminal Size	0.25" Quick Connect
Ingress Protection	IP66 (When not in use and cap is securely closed)
Type A USB	

Rev	Date of issue	Revision Notes	Designed	Approved
A	01-11-2024	Initial Drawing	RC	OF