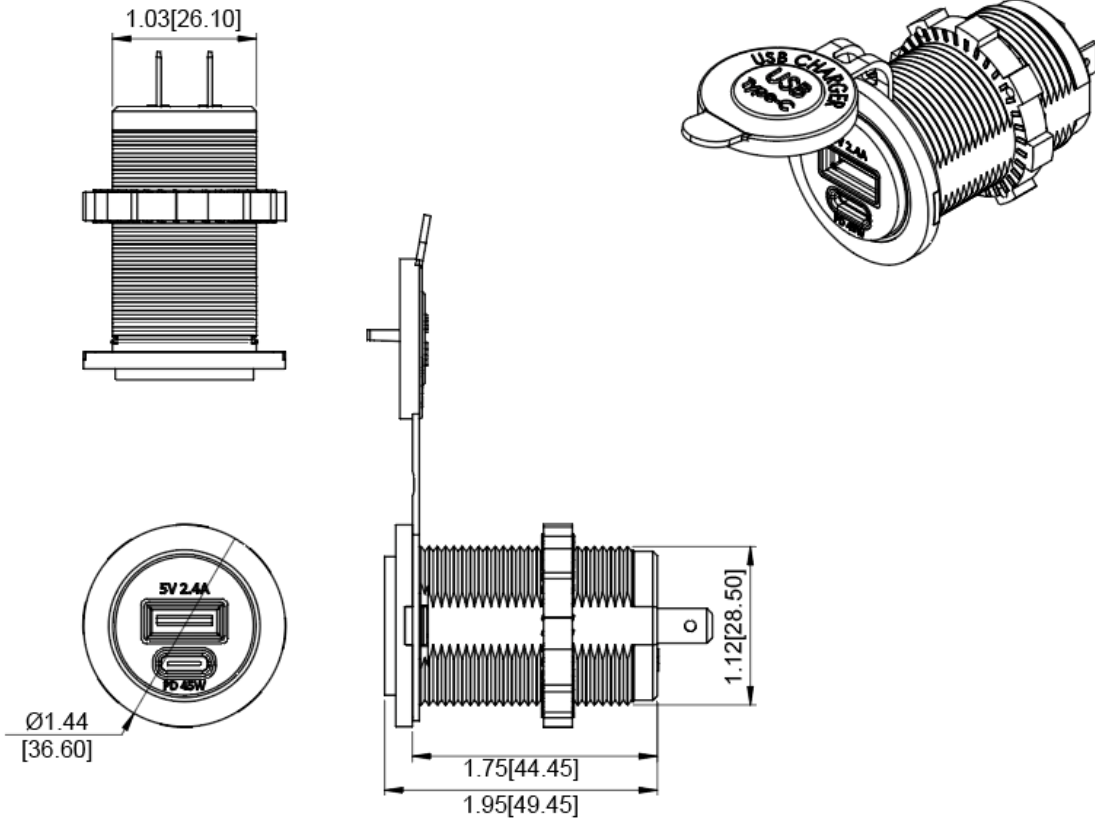
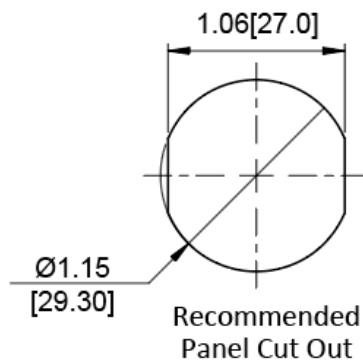


**Mechanical Dimensions: Inches [mm]**

Tolerances  $\pm 0.012$  [0.3] Unless Otherwise Specified



**Mounting Hole**



**Electrical Specifications**

<b>Input Rating</b>	12/24V
<b>Output Rating</b>	Type A Port: 5V 2.4A
<b>Output Rating</b>	Type C Port: PD 45W (20V 2.25A)
USB-A & PD (Power Delivery) USB-C	

**Material Specifications**

<b>Smart LED Indicator:</b>	Blue for 5V charging, orange for PD fast charging
<b>Ingress Protection</b>	IP65 (When not in use and cap is securely closed)

**Rev      Date of issue      Revision Notes**

**Designed      Approved**

C	02-14-2025	Updated Material Specifications	RC	OF
---	------------	---------------------------------	----	----