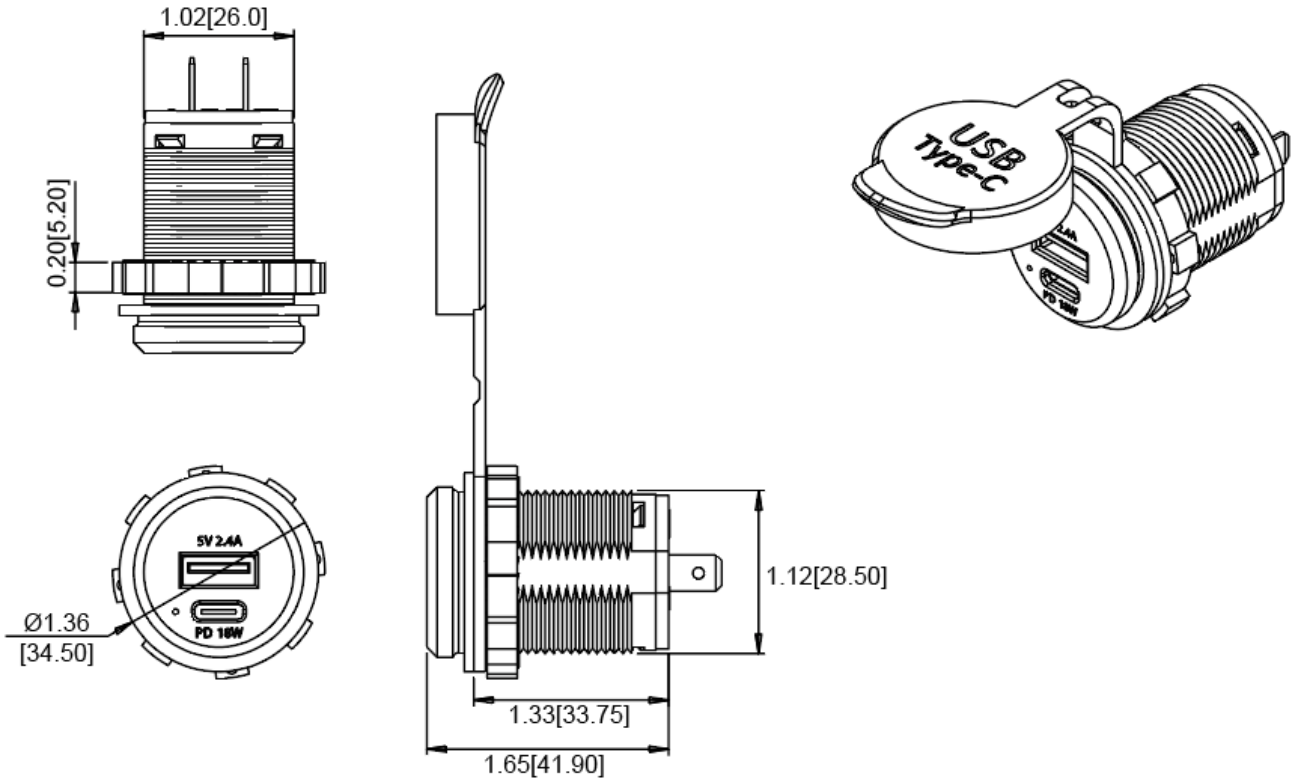
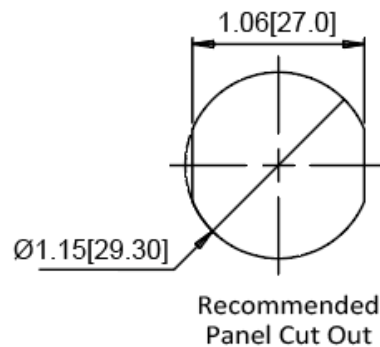


Mechanical Dimensions: Inches [mm]

Tolerances ± 0.012 [0.3] Unless Otherwise Specified



Mounting Hole



Electrical Specifications

Input Rating	12/24V
Output Rating	Type A Port: 5V 2.4A
Output Rating	Type C Port: PD 18W (5V 2.4A / 9V 2A / 12V 1.5A)
USB-A & PD (Power Delivery) USB-C	

Material Specifications

LED Power Indicator	
Ingress Protection	IP66 (When not in use and cap is securely closed)

Rev Date of issue Revision Notes

Designed Approved

B	02-14-2025	Initial Drawing	RC	OF
---	------------	-----------------	----	----