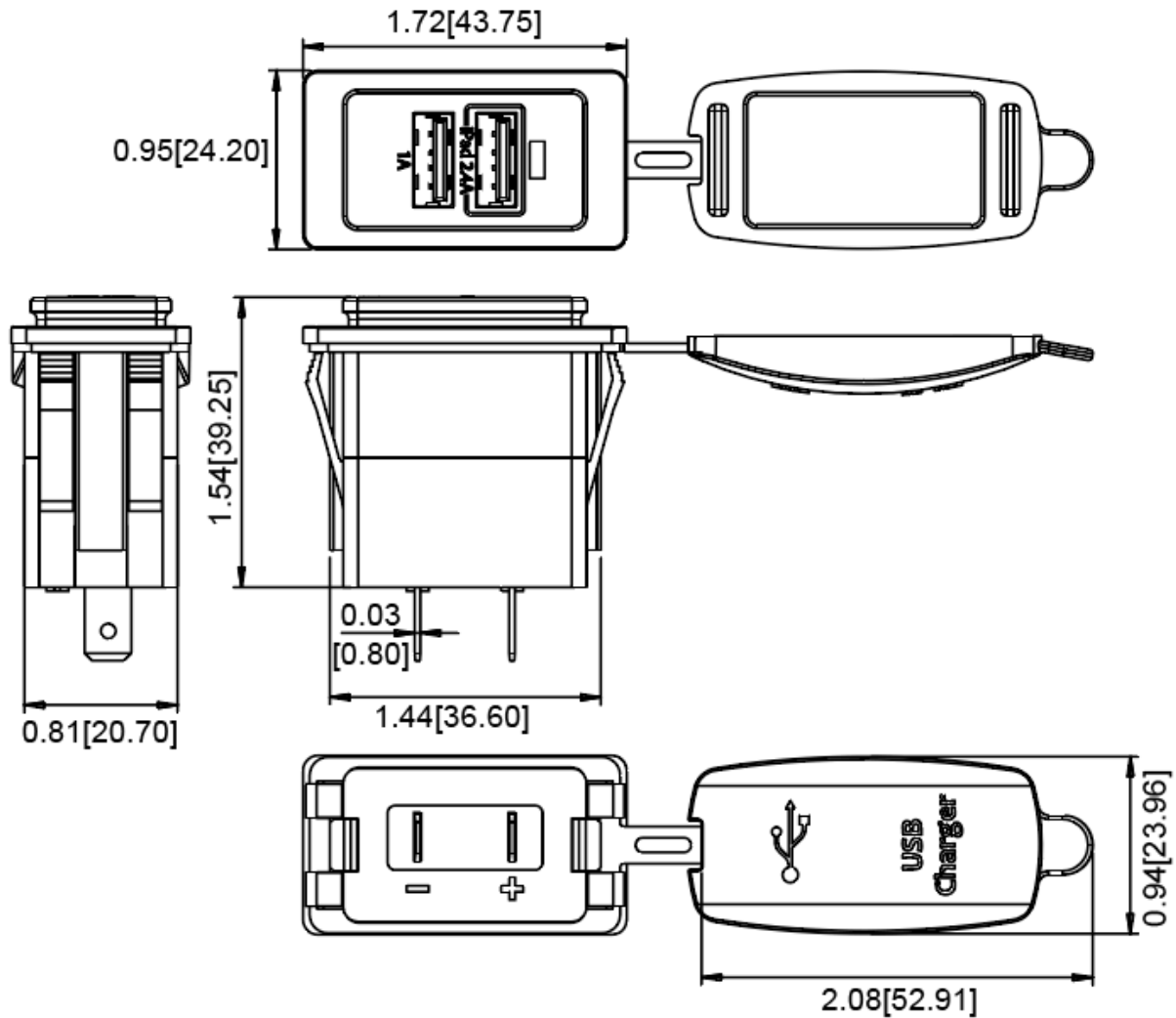


Mechanical Dimensions: Inches [mm]

Tolerances ± 0.012 [0.3] Unless Otherwise Specified



Electrical Specifications

Input Rating	12/24 V
Output Rating	5VDC 3.4A MAX (2.4A + 1A)

Material Specifications

LED Power Indication	
Housing Material	Flame Retardant Nylon (Glass Fiber Reinforced)
Ingress Protection	IP66 (When not in use and cap is securely closed)
Type A USB	

Rev Date of issue Revision Notes

Designed Approved

B	02-14-2025	Initial Drawing	RC	OF
---	------------	-----------------	----	----