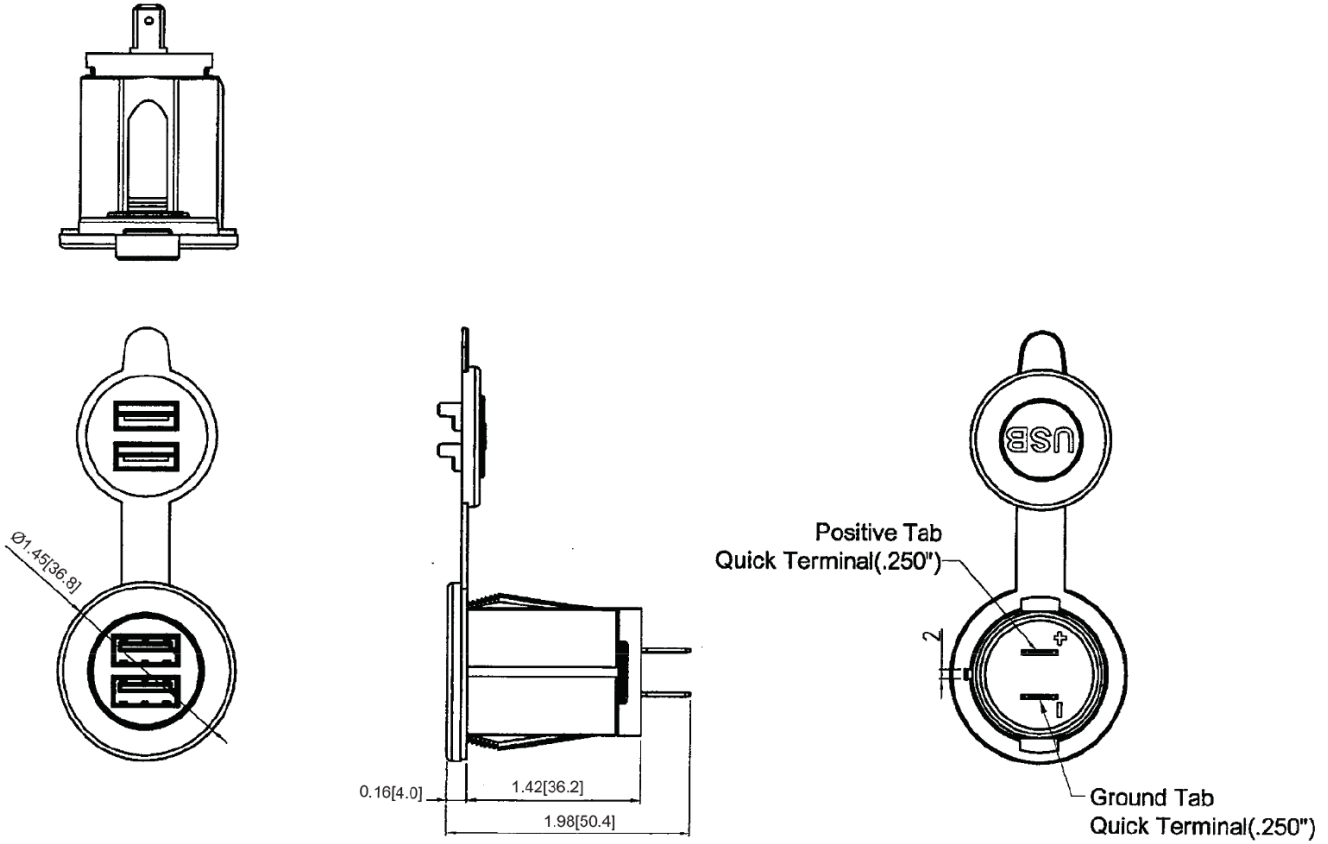
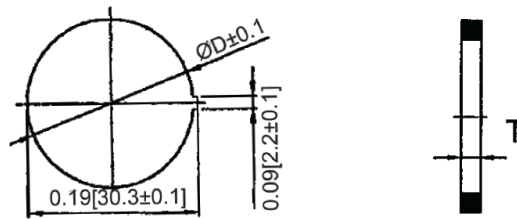


Mechanical Dimensions: Inches [mm]

Tolerances ± 0.012 [0.3] Unless Otherwise Specified



Mounting Hole



T	0.1 [2.5]	0.15 [3.8]	0.25 [6.3]	0.29 [7.3]
D	$\varnothing 1.14$ [29.0]	$\varnothing 1.14$ [29.0]	$\varnothing 1.16$ [29.5]	$\varnothing 1.17$ [29.8]

Electrical Specifications

Input Rating	12/24V
Output Rating	5VDC 2.4A/2.4A
Insulation Resistance	DC 500V 100M ohm Min
Dielectric Strength	AC 1500V 1 minute
Operation Temperature	-20°C ~ 45°C

Material Specifications

	LED power indicator inside
Housing	Nylon with Fiberglass (UL94-HB), Black
Cap	PVC

Rev **Date of issue** **Revision Notes**

Designed **Approved**

A	02-22-2021	Initial Drawing	RC	OF
---	------------	-----------------	----	----