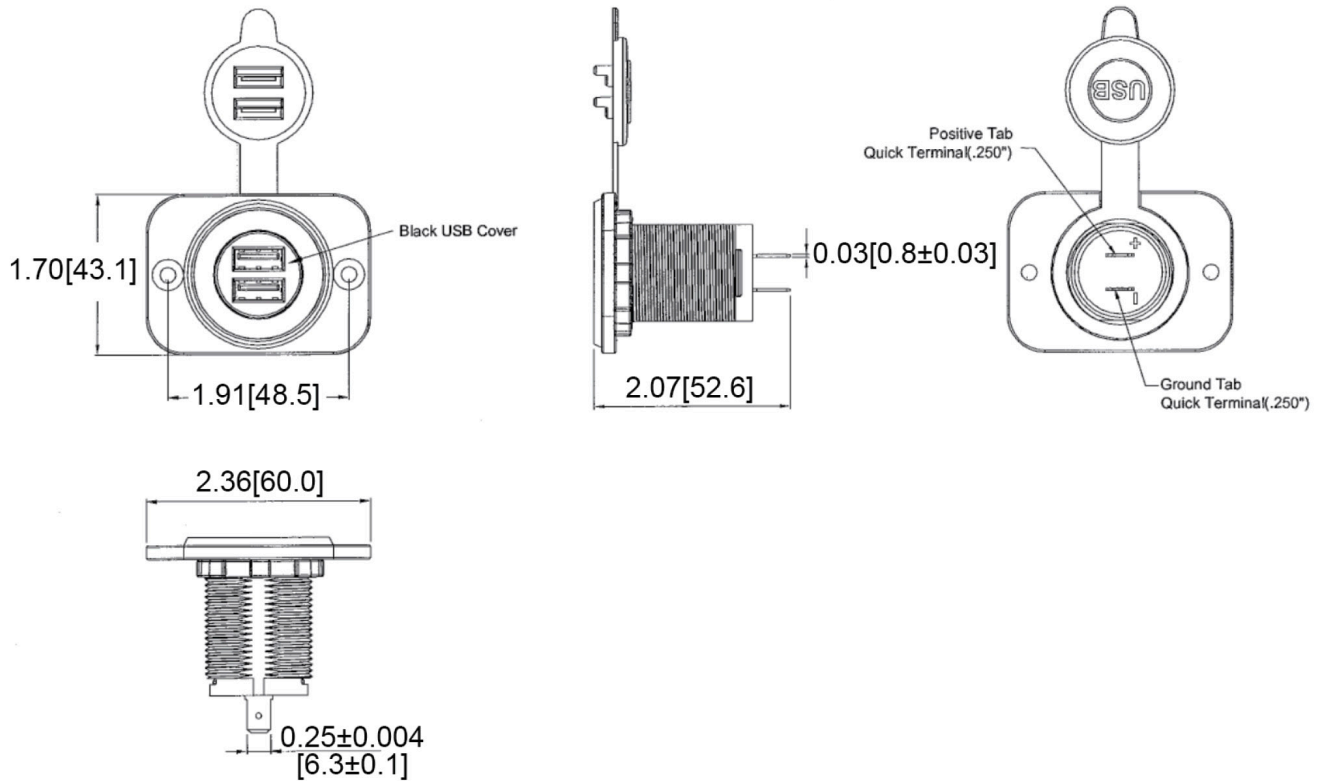
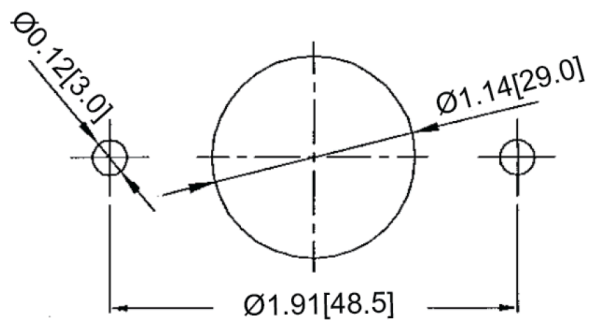


Mechanical Dimensions: Inches [mm]

Tolerances ± 0.012 [0.3] Unless Otherwise Specified



Mounting Hole



Electrical Specifications

Input Rating	12/24V
Output Rating	5VDC 2.4A/2.4A
Insulation Resistance	DC 500V 100M ohm
Dielectric Strength	AC 1500V 1 minute
Operation Temperature	0°C ~ 60°C

Material Specifications

Housing	Nylon with Fiberglass (UL94-HB), Black
Cap	PVC
Mounting plate	Nylon with Fiberglass (UL94-HB), Black
Surface Mounting Case	ABS

Rev **Date of issue** **Revision Notes**

Designed **Approved**

A	02-22-2021	Initial Drawing	RC	OF
---	------------	-----------------	----	----