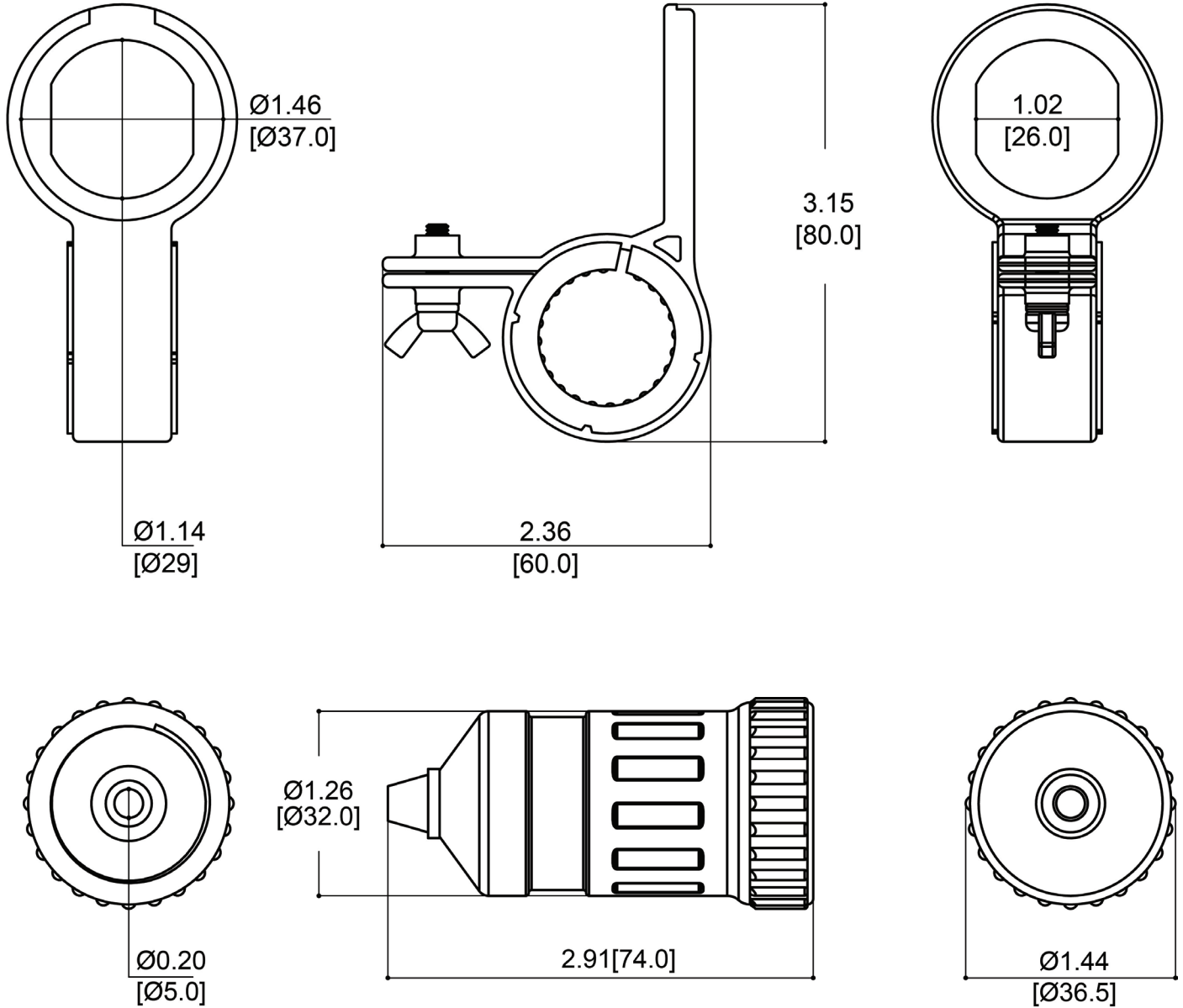


Mechanical Dimensions: Inches [mm]

Tolerances  $\pm 0.012$  [0.3] Unless Otherwise Specified



Features

[Redacted text area]

[Redacted text area]

Rev	Date of issue	Revision Notes	Designed	Approved
A	07-16-2024	Initial Drawing	RC	OF