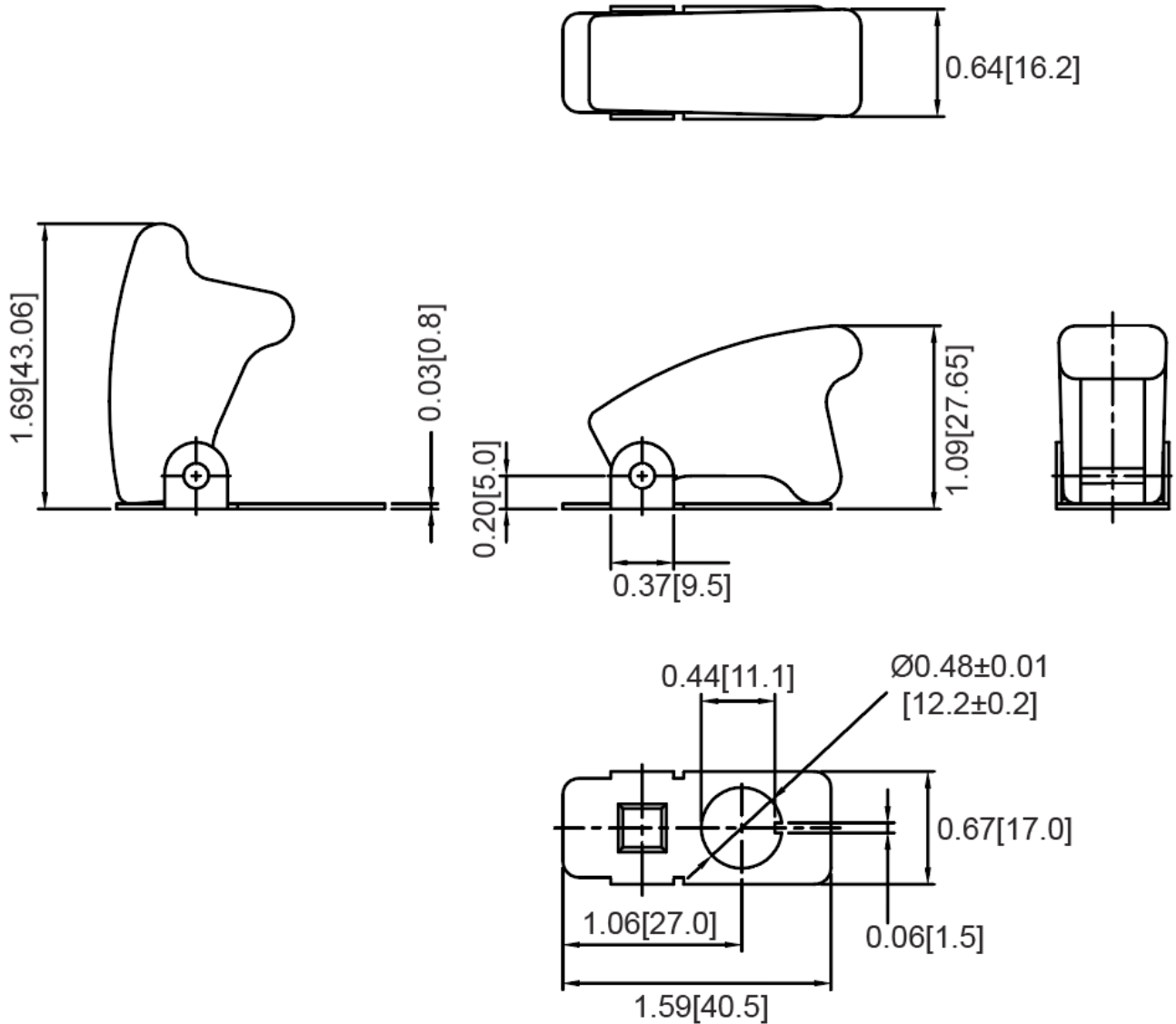


Mechanical Dimensions: Inches [mm]

Tolerances $\pm 0.008 [0.2]$ Unless Otherwise Specified



Material Specifications

Face Plate	steel, with black glossy finish	
Spring-based Switch	Green, ABS	
Mounting Hole Diameter	12.2mm (0.481")	
Applicable Switch	Standard 12.0 mm or 15/32" diameter mounting stems	
Applicable Switch Handles	Standard 17.5 mm (11/16")	

Rev	Date of issue	Revision Notes	Designed	Approved
A	01-25-2024	Initial Drawing	RC	OF