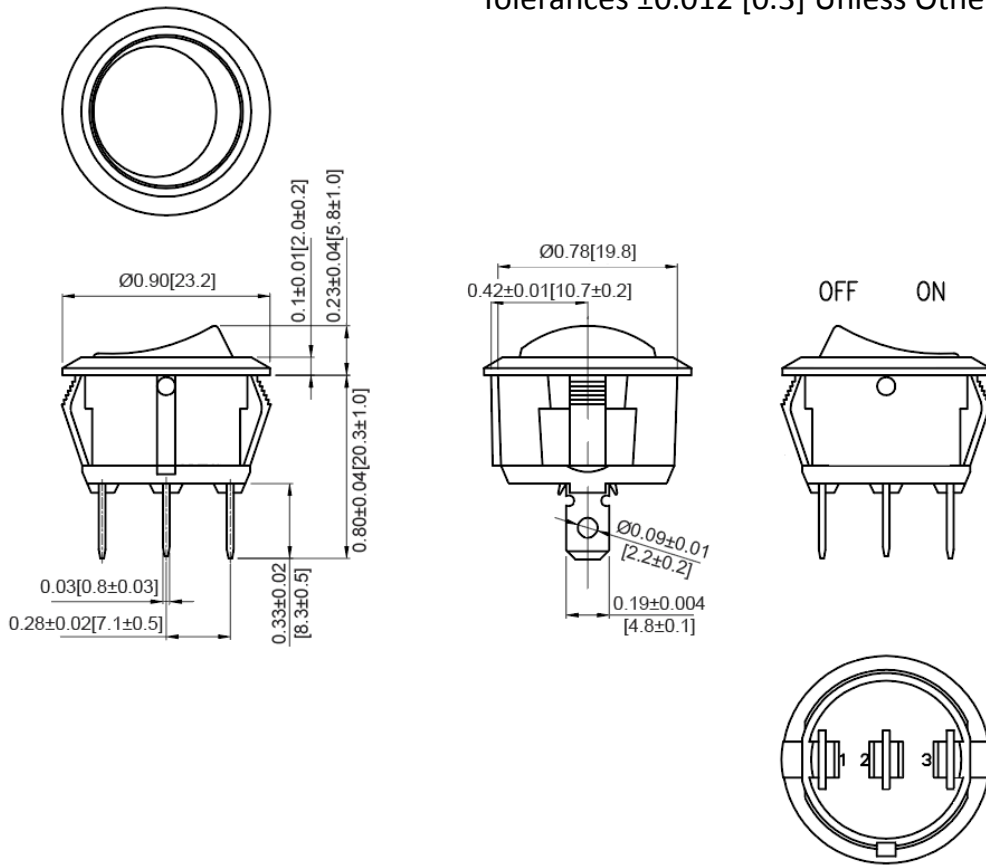
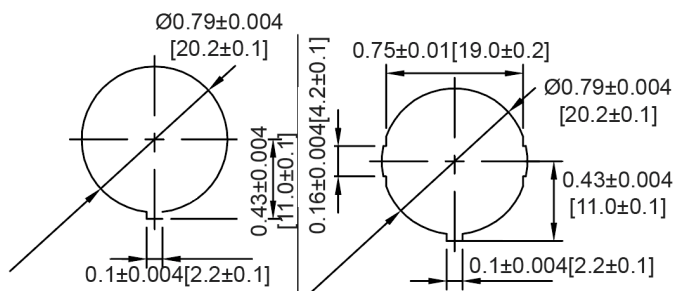


Mechanical Dimensions: Inches [mm]

Tolerances ± 0.012 [0.3] Unless Otherwise Specified



Mounting Hole

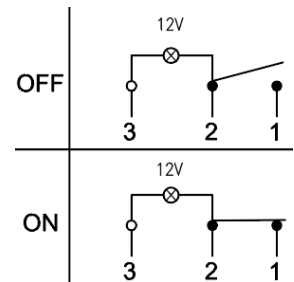


Thickness: $0.1 \sim 0.12$ [2.0 ~ 3.0]

Thickness: $0.03 \sim 0.12$ [0.7 ~ 3.0]

Circuit Diagram

3P SPST ON-OFF (LED dependent)



Electrical Specifications

Rating	20A 12VDC
Contact Resistance	50m ohm Max
Insulation Resistance	DC 500V 100M ohm Min
Dielectric Strength	AC 1500V 1 minute
Operation Temperature	-25°C ~ 85°C

Material Specifications

Frame Material	Black, Nylon 66
Actuator Material	Red, PC
LED	Red

Rev	Date of issue	Revision Notes	Designed	Approved
A	01-25-2024	Initial Drawing	RC	OF