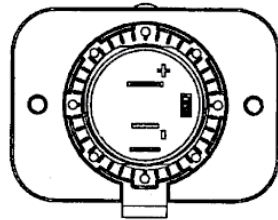
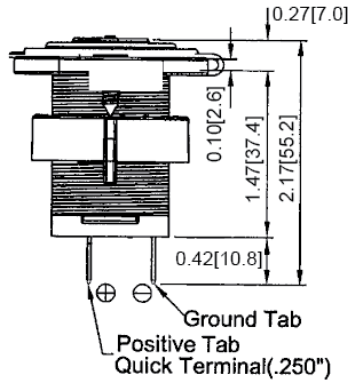
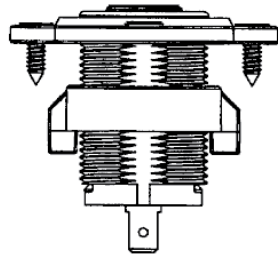
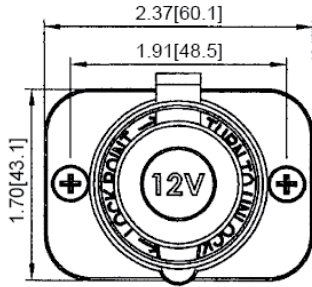
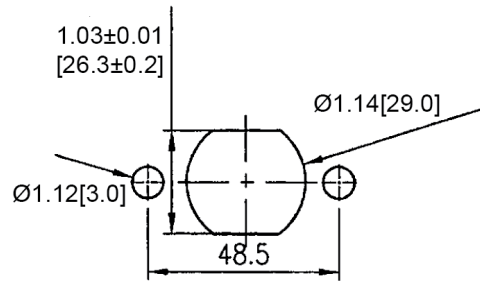


Mechanical Dimensions: Inches [mm]

Tolerances ± 0.012 [0.3] Unless Otherwise Specified



Mounting Hole



Electrical Specifications

Rating	20A 12VDC
Insulation Resistance	DC 500V 100M ohm Min.
Dielectric Strength	AC 1500V 1 minute
Operation Temperature	0°C~ 60°C

Material Specifications

Water Proof Sealing Cap

Rev	Date of issue	Revision Notes	Designed	Approved
A	01-25-2024	Initial Drawing	RC	OF