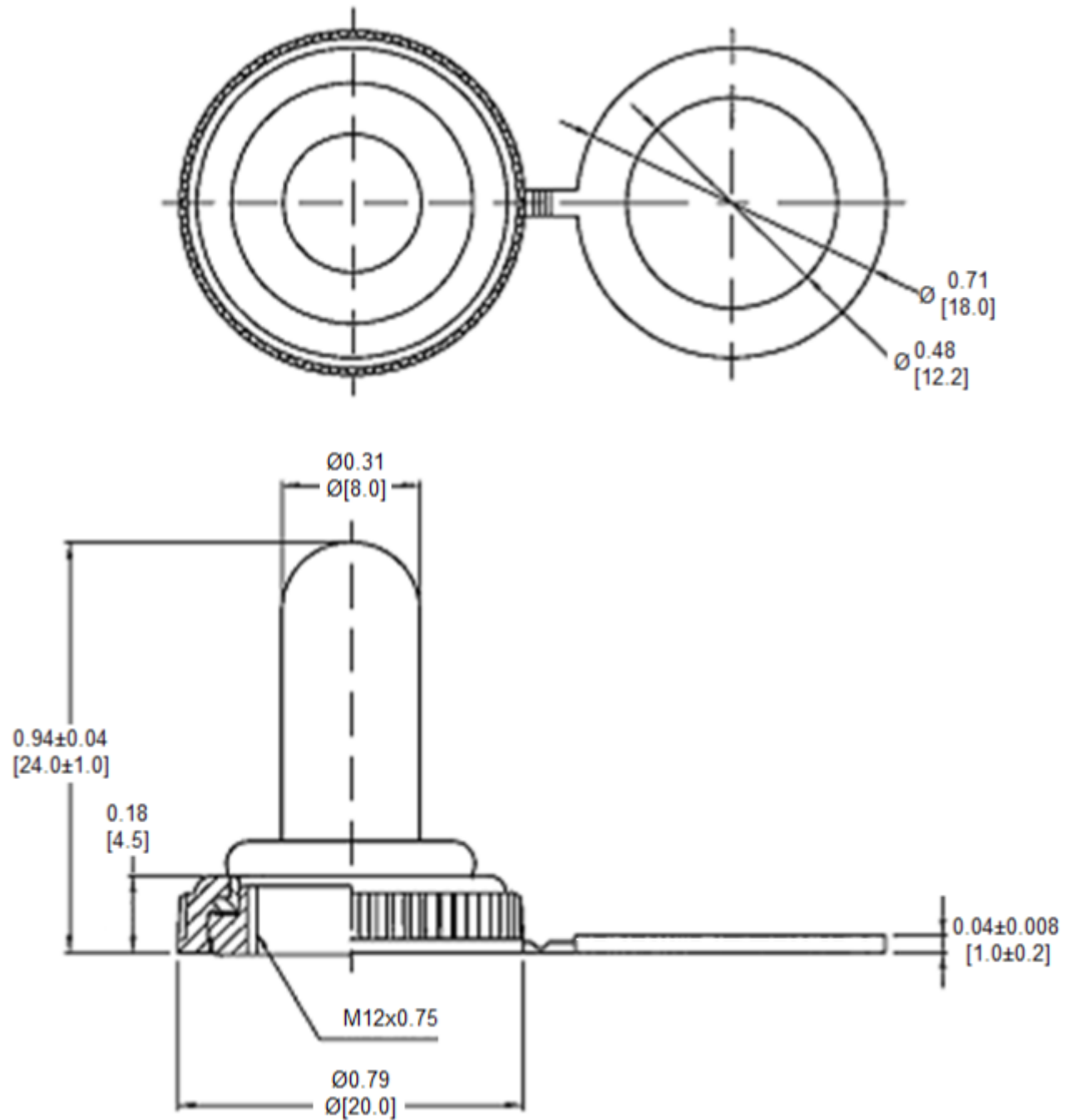


Mechanical Dimensions: Inches [mm]

 Tolerances ± 0.012 [0.3] Unless Otherwise Specified

Specifications
Twisting Force (BBD: Screw Torque) >10 Kg-cm

Drawing Force (BBD: Extraction Force) >5 Kgf

Material Rubber/EPDM; Silicon

Nut M12*0.75

For Toggle Switch Lever Height: 20mm

Rev	Date of issue	Revision Notes	Designed	Approved
A	2018/10/08	Initial Drawing	CH	OF